



Notification of successful installation

Hereby informs that UR FOG machine, model _____
has been connected to the alarm system at:

Company Name	
Address	
Referent	E-mail address
Phone number	Mobile number

The fog machine generates a dense fog when an intrusion occurs to impede the visibility to the intruder.
The fog is safe for people, animals, things and food.
This notification has been sent or delivered to:

Firemen	
Referent	E-mail address
Phone number	Mobile number
Public security	
Referent	E-mail address
Phone number	Mobile number
Private security	
Referent	E-mail address
Phone number	Mobile number

AUTHORIZED INSTALLER: _____

PLACE: _____ DATE: _____

SIGNATURE AND STAMP: _____

*UR FOG S.r.l. Sede legale / Legal Office : via Giacinto Collegno n°11 - 10143 Torino - Italy
Sede operativa e magazzino / Operation and delivery to : via Toscana n° 38 - 10099 San Mauro T.se (Torino) - Italy
C.F./P.Iva 10724550010 - Reg. Imprese TO - 1157030 - Cap. Soc. Euro 10.000 int. versati
Tel. +39 011 0123037 - Fax +39 011 0123005 - e-mail : amministrazione@urfog.com*

**N.B. Ask for the PDF module
writing to: support@urfog.com**



INSTALLATION AND USE MANUAL



FAST

FAST 03 EASY 2



ENGLISH MANUAL

The warranty of UR Fog is two years and is handled directly from the dealer or authorized installer, so please contact your supplier to take advantage of warranty with the copy of the purchase document that contains the serial number of the machine. Not included in the warranty: moving parts and/or damages depending on the incorrect use unless it is found a manufacturing defect in origin. Liquid and cylinders are not covered by warranty.



BY BREAKING THE SECURITY LABELS AND THE OPENING OF THE MACHINE YOU WILL ACCEPT WHAT IS WRITTEN ON THIS MANUAL AND ON THE WEB SITE: www.urfog.com



UR Fog srl: Via Toscana n. 38 - 10099 San Mauro Torinese - Italy
Phone 011/01.33.037 - Fax 011/01.33.005
support@urfog.com

Legal office: Via Giacinto Collegno 11 - 10143 - Torino - Italy

RESELLER/INSTALLER STAMP
(company to contact for the warranty)

Serial number _____

Date of installation _____

Signature of installer _____



At the end of the installation, write down the identification number of the machines, the date of the installation and sign in the dedicated spaces.

Thank you for purchasing UR Fog product.

The great patented technological innovations such as the liquid injection system, the disposable cylinders, the fact that they don't need to be refilled, the ecological and economic system for the complete emptying of the cylinders, together with the heating system, all of them make the FAST fog generators the best fog devices with the best performance in the security market.

- **Reliable:** There are no high pressure pumps which lose fluid or tend to stop working.
There are no high pressure pumps that must be tested periodically.
UR Fog cylinders technology is guaranteed to work in any condition.
- **Competitive:** Complete use of cylinders liquid avoiding any waste of liquid thanks to pressure control, low power consumption. Fast and powerful.
- **Simple:** Machine easy to install and able to be integrated to any existing alarm system.

The fog generated by UR Fog does not create particular problems or injuries for a human being for a short stay in a fogged room if the system is used according to the manufacturer's recommendations.

Generated fog is certified as safe for people and animals from an authorized international certification company and is proved that it does not leave any residual.

UR Fog systems are certified respecting European laws and regulations. Any certifications required in specific countries are a responsibility of the distributor of that specific country.

The documents related to certifications can be requested by mail to support@urfog.com.

It is not guaranteed by the manufacturer the use of UR Fog system in the presence of objects that may be damaged anyway by the contact with substances based on glycol, water and alcohol. Any employee or worker that may be exposed to fog must be warned in advance and must be checked for any allergy to the substances listed above. At the date of printing of this manual it has never been pointed out any problem related to any allergy.

UR Fog is in no way responsible for any damage or condition of use that has not been required and specifically approved by any specific written request prior to the installation of its products.

For fog fluid please refer to UR Fog fluid safety data sheet published on the website and carefully read it at

www.urfog.com.

Contact a doctor if for any reason you swallow fog fluid or if after contact with eyes or skin you have any kind of reaction, and in any case wash it immediately with water and soap. Do never stay for a long time in a room filled with fog.

Do not use charged cylinders that are not the ones suggested by UR Fog and never try to recharge them, they are made for a single use. Follow your national rules for the dispose of empty cylinders.

Keep UR Fog cylinders out of reach of babies and animals. The nozzle may be hot and touching it may cause burns.

Do not look directly into the nozzle.

Never use UR Fog products for any purpose that is not related to protection from thief or robbery (the choice of the conditions of use in case of robbery will be suggested by your security consultant).

Never use different fog fluids or add any other substance into the cylinders.

Do not use or keep charged UR Fog machines in vehicles and do never transport UR Fog before 24 hours since it has been shut off. During transport it must be not armed.



Please observe the following instructions for mounting UR Fog:persone.

1. The machine must be installed avoiding to obstruct escape routes.
2. Verify the fog does not limit the visibility near: stairs, landings, moving objects that may cause: falls down, injuries or any damage to persons.
3. Do not look directly into the nozzle. Do not add any other substance into the cylinders.
4. The nozzle may reach high temperatures, touch it may cause burns.
5. When UR Fog produces fog avoid staying closer than 1 meter from the machine.
6. When UR Fog is armed avoid staying closer than 50 cm from the nozzle.
7. Before testing UR Fog, remember to report it in advance to the firefighters in your area to avoid false alarms.
8. Remember to put warning labels about the presence of UR Fog on the windows.
9. Report its installation to the firefighters in your area and eventually to other institutions if needed.
10. It is necessary to add an external switch to separate the fog generator from the alarm system and it should be activated before the maintenance to avoid that input tests, for example, can activate the fog generator.
11. Never direct the fog jet towards an object or a wall less than 2 meters away and if possible increase the suggested minimum distance. Thanks to the power of the jet, UR Fog reaches and exceeds more than 10 meters away in the first 3 seconds from the point where the machine is installed.
12. Setting the shooting time is done choosing the proper cylinder.
13. UR Fog continues to be effective for up to 2 hours without 220V main power thanks to the insulation system which maintains the temperature in the heating system.
14. Install at an height of about 2,5 meters not to let it be reached, avoiding possible tampering.
15. Install with a maximum inclination of 20°.
16. Do not move the machine when it is still hot.
17. The main body of UR Fog, which has the heating system enclosed inside a metal frame, should not be opened unless by specific and authorized service centers. Do not open and touch for any reason the insulation before 24 hours UR Fog has been shut off. The internal part may reach really high temperature.
18. Do not activate the UR Fog machine before the installation is completed.
19. Insert the cylinders as the last procedure and verify the anti-tampering function.
20. When the installation is finished, always test the system.
21. From the moment of UR Fog activation, at least one hour is necessary to reach the minimum temperature needed for the fog shooting.
22. Install UR Fog avoiding any obstacles in front of it which can prevent the spreading of the fog.
23. The external temperature of UR Fog can change from room temperature to 50 °C.
24. Request to UR Fog or its distributors to take part in courses for installers to ensure the optimal installation of the equipment.

This process is useful to discriminate false interpretations of faults caused by electrical shocks or serious problems on power supply from thermal loop problems.

- 1) Serious fault signal occurs with a first phase when the buzzer emits a continuous sound for 20 minutes and blue led flashes, the output FAULT immediately switch (if the generator is disconnected and connected again you can go directly at point 3)
- 2) After 20 minutes, the buzzer stops, while blue led goes on flashing, the FAULT output remains closed. This phase remains permanently, until the machine is completely disarmed.
- 3) When you connect the machine again, blue and red leds flash alternately and no sound is emitted. This phase lasts for 30 minutes, then, the output FAULT is reset and the generator starts to work again. If during this process the generator is disconnected, when you connect it again the time starts again from the beginning and for 30 minutes.

If at the end of this process the generator starts to work again regularly is not necessary any further operation. If occurs again the fault condition within the following 20 minutes, it's necessary a check from the assistance center, or to send the machine back to the factory.

DEFECT FOUND	POSSIBLE CAUSE	POSSIBLE SOLUTION
The three front LEDs flash and the buzzer emits 1 beep / minute	The +12 V input voltage is too low or too high	Check the external power supply or the alarm unit
The buzzer emits 2 beeps / minute	Low battery but still can shoot	Replace batteries - See paragraph 14
The buzzer emits 3 beeps / minute	Low battery power can not shoot	Replace batteries - See paragraph 14
The buzzer emits 10 consecutive beeps every minute	Batteries absent	Insert batteries
	False contact battery case	Move the batteries, turn them
	Connector not correct inserted	Remove and reinsert the connector
	In any case it is useful to use a tester to verify the presence of voltage on the battery case	
The machine is armed (BLUE LED ON) but does not shoot	The front red LED is on	Has not been made the reset of the cylinders Reset as described in paragraph 13
		The cylinders are empty – Change the cylinders as described in paragraph 13
	The front green LED flashes	The heat exchanger has not yet reached the minimum temperature of shooting, wait for stop flashing (standard time of heating 60 min)
	The machine does not shoot immediately after arming	For security reasons and to avoid false fog emissions in power, when the machine is armed, it becomes operative only after 20". After this time, the emission is instantaneous.
	Wiring error	Verify that the alarm once activated has a tension on connectors of at least 12V
The buzzer sounds continuously and the LED flashes blue	Reading thermocouples error	FAULT - see paragraph 16
Cannot arm, BLUE LED doesn't become on	Wiring error	Test the terminal that there is a minimum voltage of between 11V - GND (5) + ARM (3), when the anti-theft system is activated
When you press the reset cylinder button can not hear the sound of the buzzer, the all front leds flash but the red LED does not reset	The Jumper P3 is in the "SET" position	Reset cylinder - Paragraph 13
The cylinder does not enter	The plate is raised	Press down and then pull
The cylinder does not exit	The cylinder is stuck in the valvebody	



It is always recommended to affix the FAST 03 EASY 2 on a wall even when is placed on a flat surface. Always verify that the bracket or the support surface are suitable for the weight of the machine. It is suggested not to install the machine behind walls in a limited close area without a specific ventilation to prevent a possible overheating. After removing the machine from the package, unscrew the two screws that stop the door on the right side and remove it. Inside it is possible to see the front part of the electronic circuit, later called PCB. On the side you can see one cylinder placed on the cylinder plate (if included in the offer) or the plate ready to install a new cylinder.

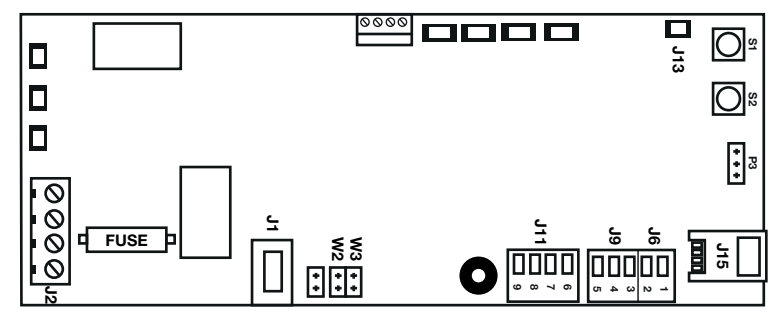
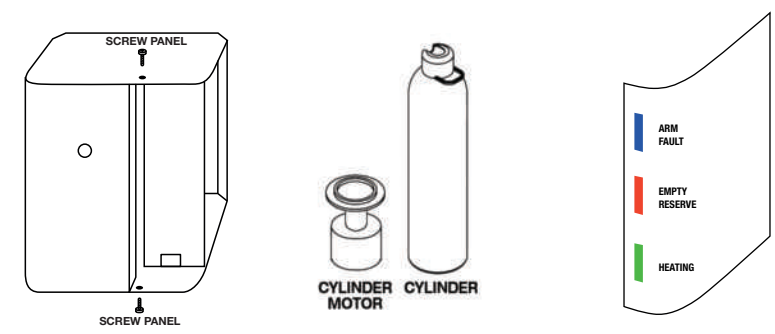


It is necessary to take away the cylinder to remove the blocks placed in the upper part of the cylinder, it is only used to avoid the risk of discharge of the liquid during transport.



The cylinder supplied with the equipment are intended to be used only for a vertical installation. FAST 03 EASY 2 is designed for vertical installation, horizontal installation is not allowed.

On the rear of the cabinet you have to remove precutted holes on the metal case and choose the proper ones after deciding for a straight or corner installation. The round precutted holes on the other hand, are to be used for cables that should go in or out of the machine. For a more comfortable installation is recommended to use the wall bracket (not included with the machine). You can refer to your authorized reseller/distributor to get it.



* Industrial standard as from other manufacturers

	FAST 03 EASY 2
Weight without cylinders and battery	10 Kg
Fog emission in a single shoot	200/600* m ³
Total emission capacity	400/1200* m ³
Cylinders capacity	1 x 300 ml
Work time without main power	2 hours 30 minutes
Average Consumption	300 W
Max power on heating system	270 W
Heating time	About 60 minutes
Average power consumption	40 W
Maximum consume at 12V	230 mA after shooting 60 mA stand-by
Average batteries lifetime	12 months with 10 shots
Door anti tampering	Micro switch
Anti-tear off or anti-shift	Accelerometer

WARNING:

- Loosened ferrule can cause dropping
- Do not disconnect the machine immediately after the shot
- Change batteries every year
- Change the cylinder after 2 shots

Entirety of the nozzle sphere

Verify that the nozzle hole is cylindric. The average duration of the nozzle sphere depends on the number and duration of the shooting, around 8L of glycol.



IT'S ADVISABLE TO USE GLOWES

- 1 – Obstruct the nozzle with soft and insulating material (for example an eraser).
- 2 – Keep the nozzle obstructed, press the button P3 previously moved in RESET position (see paragraph 14) and keep it pressed until you hear that the pump is activated.
- 3 – Wait for the activation of the buzzer (Max 30")
- 4 – Remove the obstruction taking away your hand quickly to avoid to be in contact with the hot emission of air. The buzzer must stop.
 - If after 30" you don't hear the buzzer, may be a loss inside the circuit; please contact the service center.
 - If after removing the obstruction the buzzer doesn't stop, it means that there is an obstruction; please contact the service center.

UR Fog generators do not require special care, however, it is recommended the support of qualified and authorized personnel for periodic annual monitoring, taking into account the following:

- 1- Verify the good working condition of the batteries
- 2- It is advisable to replace the cylinders after 2 years from the installation
- 3- Verify the lock of the nozzle ferrule
- 4- Verify the entirety of the nozzle sphere
- 5- Intervention report redaction and release of conformity declaration according to 37/08 order in case of proviso

Verification of batteries and battery case

When do you need to change the batteries:

- After one year of use.
- Within the deadline printed on them.
- When it is reported that they stopped to function.

If the batteries run out, it starts a sequence of acoustic signals:

- 2 bips/minute - battery is low,
- 3 bips/minutes - machine can't shoot, battery too low,
- 10 bips/minutes - batteries missing or bad contact on battery case, plug or cable interrupted.

The anomaly of the batteries also causes the activation of the output "fault", useful to signal a possible anomaly. When the empty batteries are removed from the battery case, the buzzer will sound a sequence of 10 bips for each minute. After re-inserting the new batteries, it is suggested to wait at least one minute, to verify that the sequence of beeps is not repeated.

If the sequence of beeps does not stop, you have to check the polarity of the batteries and, if correct, check if the batteries are in correct contact with the battery case.

In this step it is suggested to verify a battery case with a tester.

It is necessary the use of alkaline batteries of excellent quality.

The use of rechargeable batteries is not allowed.

When you close the cylinder compartment, the buzzer will sound to confirm the correct closing of the anti-tamper system.



We recommend to throw away the batteries in the appropriate waste containers for recycling. Heavy metals contained in them are recyclable.

230V or 110V power source supplies energy only to the heating system. The electronic card and the motor of the cylinder are supplied from the alarm system and batteries. The heating element is of 300W, at the very beginning power consumption is about 250W and in some minutes it goes down reaching average consumption which is about 40W.



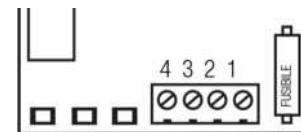
Do not use inverter or UPS unless you have the certainty that they generate a true sine wave, not a rebuilt one.

- The max current to be considered for the system is 2A
- The connection to the 230V or 110V electricity grid must be performed by a qualified technician.
- Connect the equipment to the electricity grid only after you have completed the installation.
- It is necessary to connect the ground terminal.

PLEASE NOTE THAT, AS ALL POWERED EQUIPMENT FROM THE ELECTRICITY GRID REQUIRING INSTALLATION, IT IS SUBJECT TO COMPLIANCE WITH RULES OF THE COUNTRY IN WHICH IT IS INSTALLED

For section and types of wires, fuses, suitability of materials to installation sites etc..

- 1 Phase 220V or 110V
- 2 Neutral 220V or 110V
- 3 Ground connection
- 4 Ground connection for heat exchanger and cabinet (never disconnect)



IF YOU NEED TO REPLACE THE FUSE, USE THE ONE WITH EXACTLY THE SAME SPECIFICATIONS. IF IN DOUBT, ASK YOUR AUTHORIZED DEALER



While connecting the machine to the mains power, it is recommended to never disconnect existing ground cable. The fact of disconnecting or modifying existing cables voids the warranty and can cause troubles or accidents related to the temperature control. Connect ground cable from the system to the screw on the metal sheet.

08 BATTERY POWER

The batteries are intended to maintain the efficiency of the electronic card, allowing the fog emission even in absence of power supply from the electricity grid, until the heating system has a sufficient temperature.

The batteries also have the purpose of activating the motor that lift up the plate holding the cylinders, even when the main power supply or 12V from the alarm system is available.

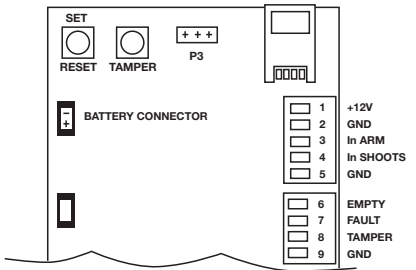
Without batteries, with dead batteries, rechargeable or poor quality ones, the motor do not lift up the plate that push the cylinders. For this reason it is important:



- To use only high quality alkaline batteries
- To replace them within the expiry date
- To replace them every 12 month anyway
- To replace them when FAST 03 EASY 2 report the signal of low battery (paragraph 14 and 16)
- To test the battery case during every maintenance (paragraph 16)

After inserting the batteries, it is important to check that they are in good contact with the battery holder to guarantee the proper functioning. Description of how to make tests is in paragraph 16.

09 DESCRIPTION OF INPUT AND OUTPUT CONNECTIONS



INPUTS

- 1 + 12V Power input
- 2 GND Power input

In these inputs is necessary to provide a stable supply, between 11V and 14V DC from the alarm control panel or from an external 12V power supply. This power is necessary to the operation of the LED and for the logic of operation. In the absence of voltage on this input, the logic part will continue to operate, but not the heater. For about 2 hours and 30 minutes, or until the temperature of the heat exchanger (heating system) allows, FAST 03 EASY 2 may produce fog. The maximum current drawn from UR Fog on this input is 230 mA.

3 ARM Arming input

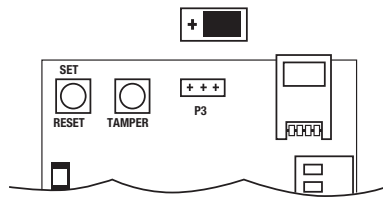
By connecting this input to positive, FAST 03 EASY 2 is armed, blue frontal led is switched on and when the machine reaches proper temperature it means that it is ready for shooting.

4 SHOOT shooting input.

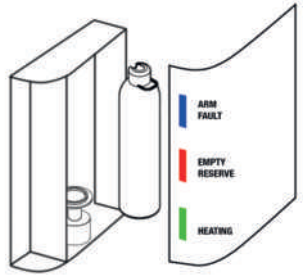
Putting this input to positive, if FAST 03 EASY 2 is hot and armed, starts fog emission. In case of alarm, opening ARM input, the fog emission stops immediately.

5 Common ground

12 DIREZIONE DEL FLUSSO DI NEBBIA



The cylinders for fog cannons are guaranteed to work for 3 years from production date. The expiry date is printed on the top of them. After that date, cylinders should be replaced even if they have not been used. It is recommend to return them to the same to the dealer, who will take care of disposal.



For this reason it is recommended to use only new cylinders. After removing the screws from the door, take away the used cylinder and reset the warning light for empty cylinder. After this operation, insert the new cylinder until you hear the "click" of the plastic support at its top that goes into the slot, then close the door of the cylinder.

If the cylinder seemed "stuck" in the upper part DO NOT pull with force, make a pressure with two fingers on top of the cylinder, such as to lower it. Then try again to remove it. If the cylinder does not enter, check if the cylinder plate of the motor remains lifted. If so, see paragraph 14.

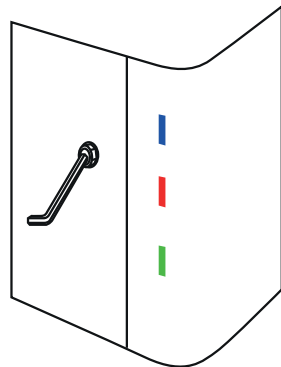


When you close the door, the buzzer will make a sound to confirm the tamper is closed. Attention: Before opening the side doors, make sure that the alarm control panel is in "service" mode, so that the opening of the circuit "anti-sabotage or tamper" does not cause any alarm.



The cylinders supplied with the equipment are intended to be used only for a vertical (standard) installation. It's necessary to insert the cylinders with the black plastic plug.

13 FOG FLOW DIRECTION



Fog flow direction

To ensure the right direction of the fog flow, it is recommended to insert a screwdriver of the diameter of the hole and, without forcing, orient the nozzle in the correct fog emission direction. This allows you to clearly see the direction and keep it in place while tightening.

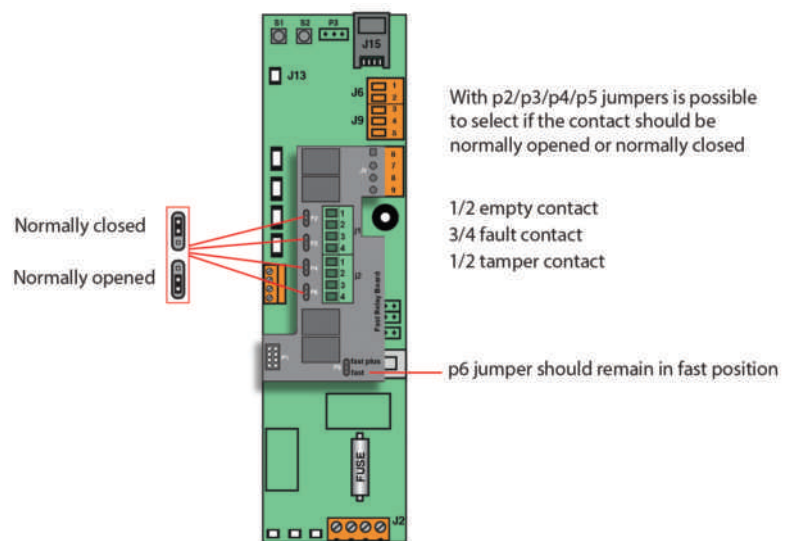
To screw and unscrew the nozzle you should use a pair of pliers in good condition to avoid damaging the plating. Do not overscrew the nozzle, it is sufficient that the teflon nozzle does not move.

Do not direct the fog jet towards objects and walls less than 2 meters away or to the floor if it is installed at a height lower than 2.50 meters.



WARNING! After the fog emission, and for a few minutes the nozzle is very hot, RISK OF BURNS IF TOUCHED by bare hands.

F - Example of connection FAST 03 EASY 2 outputs with relay board.



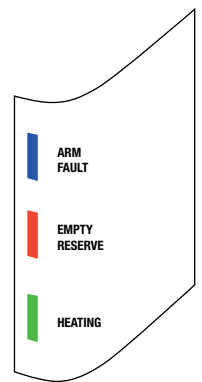
OUTPUTS

- 6 EMPTY Output empty cylinder**
This output (NPN Open Collector) closes towards negative direction when the cylinder is empty.
- 7 FAULT Fault output**
This output (NPN Open Collector) closes towards negative when there is a serious malfunction (such as batteries expired, fault of power supply or temperature control fault), which compromises the functioning of the device and which requires a technical action. Fault signal due to supply absence has a delay of 20 minutes.
- 8 TAMPER Tamper output**
This output (NPN Open Collector) closes towards negative direction when you open the door cylinder or when the accelerometer detects a sudden movement (such as the detachment from the wall)
- 9 GND Negative reference**



Remember, it is necessary to connect all three outputs to an alarm central or an electronic panel that can see all those information in real time and take proper action. In order to avoid accidental activation with subsequent fog emission, the inputs are in "negative security", for this reason the disconnection of a wire does not cause activation. So it is necessary to check carefully the reliability of connections and protect the cables to the control panel to avoid the risk of accidental damages.

11 MEANING OF FRONT LEDS



- BLUE LED**
When on it means that the machine is armed, hot and ready to shoot.
When flashing means that a fault is detected.
- RED LED**
When on it means that 50% of the liquid inside the cylinder has been used (after 1 shot)
When flashing means that the cylinder is completely empty (after second shot)
- GREEN LED**
When on means that FAST 03 EASY 2 is hot and ready for the fog emission.
When flashing means that the heating process is in progress FAST 03 EASY 2 in this step is heating but is not ready to shoot.



If the BLUE LED is flashing, together with a continuous sound from the buzzer, means that a fault is detected, see paragraph 15.

- 300 ml**
The symbol of the empty cylinder flashing, in Fast 03 Easy 2 has the meaning of "RESERVE" after one shoot and "EMPTY CYLINDER" after two. In this case the tank must be replaced.
- 165 ml**
On Fast 03 Easy 2 is possible to use 165 ml cylinders for a single shot. In this case the red led on (not flashing) has the meaning of "totally empty cylinder" and the tank must be replaced.

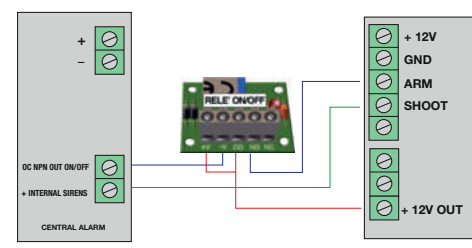
10 CONNECTION EXAMPLES



The diagrams and examples below are intended only for a "better understanding" of the operation of the inputs / outputs. None of the diagrams below represents the "single scheme to perform" as, in respect of the reference standard EN50131-8, there are precise indications and only using all inputs and outputs on the PCB it is possible to abide by the standard.

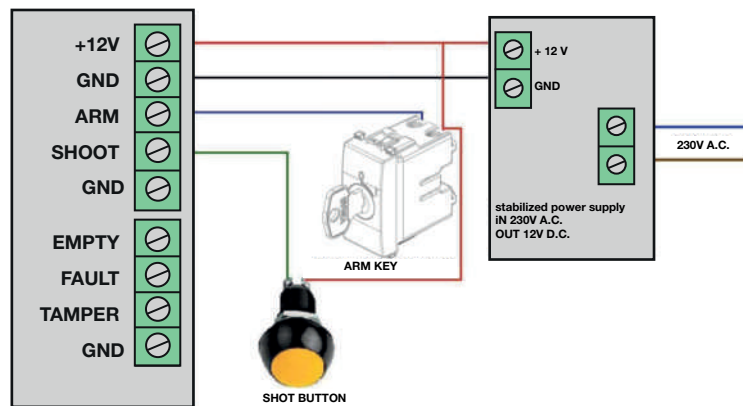
- A** Example of connection FAST 03 EASY 2 inputs with outputs of a central alarm
- B** Example of FAST 03 EASY 2 connection with external power supply for anti-robbery use
- C** Example of connection of FAST 03 EASY 2 outputs to drive LEDs and / or relays
- D** Example of connection of FAST 03 EASY 2 outputs with inputs of an antitheft normally opened with diods needed only with some equipments.
- E** Example of connection of FAST 03 EASY 2 outputs with balanced inputs of an antitheft
- F** Example of connection of FAST 03 EASY 2 outputs with relay board

A - Example of connection FAST 03 EASY 2 inputs with outputs of a central alarm



In the diagram above the control panel, as example, provides to FAST 03 EASY 2 power supply between 11 and 14V DC 250 mA max. The ON/OFF output of this power plant is an Open Collector NPN opened when the system is off and it is stably closed to negative for all the time in which the system still lit. The alarm output of the plant is normally open and becomes positive during the alarm time.

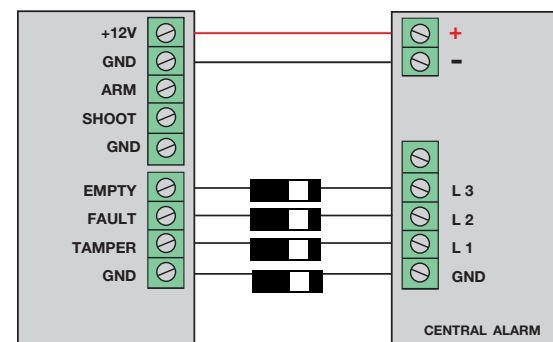
B - Example of connection FAST 03 EASY 2 for anti-robbery use with external power supply



In the diagram above Ur Fog is powered by an external power supply. When Fast 02 or 03 is used with an external power supply in case of power failure, the machine will not be able to shoot. For this reason, when the anti-robbery function must be guaranteed in the absence of power, it is needed to add a rechargeable battery with a capacity of 1.2 Ah 12V in parallel to the output of power supply. The arming key is important, as required by law, to allow you to disarm the device when not in use and during maintenance. The shooting button, when the machine is armed, starts the fog emission immediately after pushing the button with the shooting time already set in advance. To stop the fog emission before the set time, turn the key to disarm the machine.

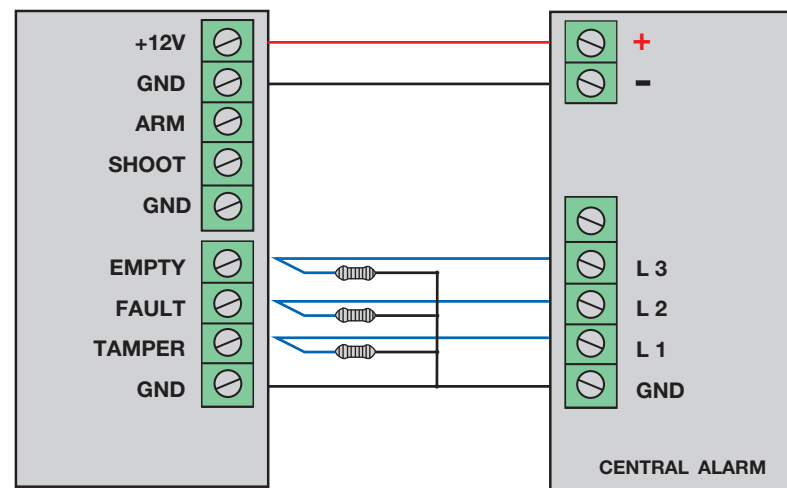
In case of an empty cylinder, the DL EMPTY led will switch on
 In case of a fault, DL FAULT will switch on
 By opening the cylinders doors, in addition to the DL TAMPER led switching on, the relay will switch
Maximum applicable power on the outputs is 100mA

D - Esempio di collegamento delle uscite di FAST 03 EASY 2 con diodi, necessari solo se si vogliono riferire le uscite ad una tensione diversa da +12 V.



The FAST 03 EASY 2 outputs are normally opened and connected with input zones of the alarm control panel opened. According to the diagram above: when there is an empty cylinder the entrance area L3 will detect an alarm; if a failure occurs or the batteries run down, L2 detects an alarm; when you open the door of the cylinders, L1 detects an alarm.

E - Examples of connections FAST 03 EASY 2 outputs with balanced inputs of an antitheft

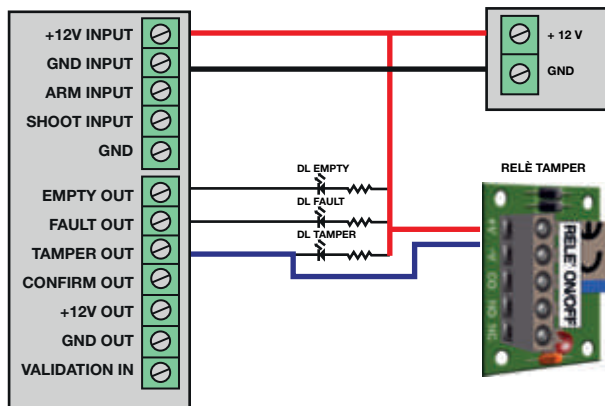


In this diagram, putting the resistance value required by the alarm control panel used in the terminal of FAST 03 EASY 2, with not used outputs the central will see the correct resistance, while following the activation of an output, you will have a pull-down causing the alarm of the corresponding zone.



For safety reasons and to avoid false fog emissions in power, when Fast 03 EASY 2 is armed, it becomes operative only after 20". After this time, the fog emission is instantaneous.

C - Example of connections FAST 03 EASY 2 of outputs to drive LEDs and/or RELAY



In case of an empty cylinder, the DL EMPTY led will switch on.
 In case of a fault, the DL FAULT led will switch on.
 By opening the cylinders door, in addition to the DL TAMPER led switching on the relay will switch.

Max power applicable on the outputs is 100mA